



## Trotec PAC 3500

The PAC FT 2600 portable room air conditioner comes with an infrared remote control and an air outlet hose with a flat nozzle. The unit's primary function is to air condition rooms. It also filters and dehumidifies the air, thus creating a comfortable climate in the room.

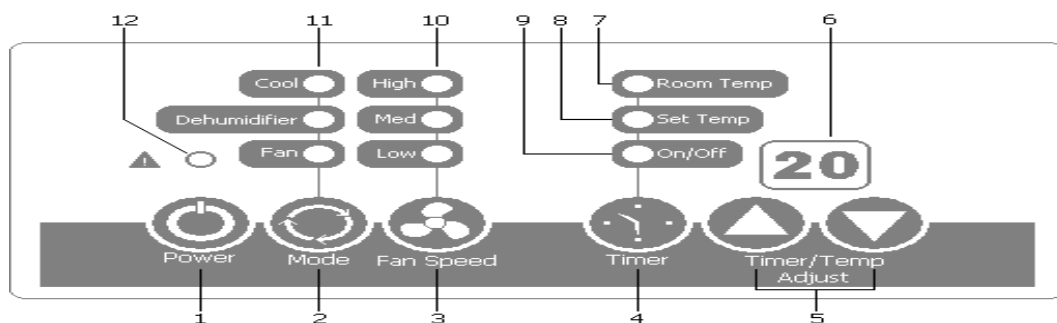
### Safety Instructions

Please make sure that you follow the below safety instructions:

- The unit is not suitable for outdoor operation
- Do not set up or operate the unit in rooms susceptible to explosions
- Ensure that the unit is set up at a safe distance from flammable materials
- Do not set up or operate the unit if the atmosphere is contaminated by oil, sulphur or salt
- Do not set the unit near curtains, drapes or blinds. *Minimum distance of 50cm*
- Ensure that the air conditioners intake and outlet openings are always clear of foreign objects
- Ensure that the air conditioner is securely placed on a level surface
- The unit may only be operated in an upright position
- Do not insert foreign objects into the air intake or outlet openings
- Do not place any heavy or warm objects on top of the unit
- Do not expose the unit to direct streams of water
- Operate the unit only within its permissible operating ranges. *Pay attention to the surrounding temperatures*
- This unit may only be connected to a correctly installed, grounded and fused plug socket. 230V / 50Hz, fuse 10A
- When unplugging the unit, do not pull the power cord too forcefully or bend it too much. *This may result in damage to the cable*
- Do not move the unit while in operation. Wait at least 5 minutes before starting the unit after it has been moved. *This protects the unit from damage*
- Switch the unit off by pressing the power button. Do not switch the unit off by unplugging the power cord
- Do not transport the unit during operation
- Do not place the unit on its side
- Protect all electrical cables from being damaged
- Make sure that all extension cables are suitable in terms of capacity, length and intended use
- Do not lay any lines underneath the carpet
- Never operate the unit without its air filters
- Never aim the air current directly at people
- Never open the unit housing. *This may cause an electric shock*
- Work on the cooling system and on the electrical equipment may only be performed by an authorised service centre

**Operation/handling which does not comply with these instructions are prohibited**

### Control Panel



- 1) **Power** – Use this button to switch the unit on and off
- 2) **Mode** – This button is used to select the desired operating mode. There are three operating modes available which are:
  - **Cooling mode** – The unit cools the room to the set temperature, which can be set between 16°C and 32°C. The fan speed can be freely selected

- **Dehumidification mode** – The unit dehumidifies the room. The temperature can be set between 16°C and 32°C. The fan speed is preset to med and can not be changed
  - **Ventilation mode** – The unit is being used to circulate the air with no cooling effect. The temperature can not be set, but the fan speed can be freely selected
- 3) **Fan Speed** – This can be used to select the fan speed in the cooling and ventilating operating modes. The fan speeds are high, med, and low
  - 4) **Timer** – This is used to allow you to set the timer so the unit can be automatically switched on or off
  - 5) **Timer / Temp Adjust** – These are used to select the desired temperature in the cooling and dehumidifying operating modes. The display will now show the target temperature and can be changed accordingly. The target temperature can be set between 16°C and 32°C on 1°C increments by pressing either the up or down button  
 Left button – Higher target temperature  
 Right button – Lower target temperature  
 In addition to this the up and down button is also used to set the timer period for switching the unit on and off automatically.  
 Left button – Longer timer period  
 Right button – Shorter timer period
  - 6) **Display** – The room temperature that is measured by the internal sensor of the unit is shown in the display. If one of the up or down buttons is pressed the display switches to show the target temperature. If the timer button is pressed the display will then switch and show the remaining number of hours that are left until the unit will be switched on or off. With no buttons pressed the display will switch back to show the room temperature after 15 seconds
  - 7) **Room Temp Signal Light** – This light will illuminate to show that the measured room temperature is being shown in the display
  - 8) **Set Temp Signal Light** – This light will illuminate to show the target temperature is being shown in the display
  - 9) **On/Off Signal Light** – This light will illuminate to show whether or not a timer has been activated. It will blink if it is possible for you to change the timer accordingly
  - 10) **Fan Speed Display** – The light will illuminate to show which fan speed setting the unit is running at
  - 11) **Operating Mode Display** – The light will illuminate next to the operating mode that you have the unit set on
  - 12) **Tank Fill Display** – This light indicates that the floating switch of the internal tank has switched off the units operation. The internal tank does not become full during normal operation because the exhaust fan transports the accumulated and evaporated condensation to the outside via the exhaust hose. Follow the below instructions to re-start the unit
    - Switch the unit off by pressing the on / off button and unplug the unit from the power supply
    - Place a suitable container under the condensation drain of the internal unit. *The condensation drain is located at the bottom left at the back of the unit*
    - Pull the plug from the condensation drain and collect the water that drains out
    - Replace the plug
- Keep in mind that is there is no plug or it is inserted incorrectly, water may leak out after the unit has resumed operation**

## Operation

Please note that the unit operates most efficiently and most comfortably when put into operation before the hottest part of the day, e.g. the morning.

The selected target temperature should be 4°C - 7°C below the outside temperature. It should never be lower because the room temperature would feel too cold when coming from non-air-conditioned room and people may catch cold.

The selected target temperature does not affect the performance of the unit. This means that when temperatures in the room are high, it is not practical to adjust the unit to the lowest possible target temperature.

## Prior to Initial Operation

The unit should be set up in the desired location, with the air outlet side facing the room. Follow the below safety instructions when setting up the unit.

### ***There must be a minimum of 20cm between the back of the unit and the wall***

- After transporting the unit, place it on its wheels and let the unit stand for at least 5 minutes before switching it on
- Place the device securely on a level and firm surface. *An uneven surface can cause vibrations and disruptive noise's*
- Before plugging in the power cord, make sure that the required current is available. 230v / 1~, N, PE / 50Hz / 10A
- If extension cords are necessary, make absolutely sure that they are sufficient thickness
- All extension of the power cords must be sufficiently thick and may only be used if they are completely extended or rolled up
- Make sure that there is a plug for the condensation drain and that it has been properly placed. *It is possible that water will leak out after the unit becomes operational*
- Never operate the unit without the air intake filter. *Without an air intake filter, that plate fins of the evaporators become dirty and performance of the unit suffers*
- The maximum unit performance of the unit is achieved by opening the air flap completely
- Make sure that sensitive objects, such as plants in the room, are not directly in the path of the expelled air

## Recommendations for optimum unit operation

- In case of direct sunlight, make sure to close all curtains and blinds
- Keep doors and windows closed during operation

## Expelling warm air

During cooling mode, the unit generates warm air. This air must be expelled from the room being cooled to retain the cooling effect. It is therefore necessary to insert the supplied exhaust hose into the air outlet opening at the back of the unit.

- Make sure that the deflector piece from the top slides down into the notches on the side until it clicks into place
- To ensure that the unit operates effectively, do not place the flexible exhaust hose supplied at sharp angles and make sure there are no kinks
- You may not extend the exhaust hose
- The air expelled from the hose contains a certain amount of moisture. We therefore recommend expelling the air to the surroundings or the outside

## Initial Operation

Prior to initial operation, the air intake and outlet openings must be inspected for foreign bodies and the air intake filter for dirt. Blocked or dirty grilles and filters must be cleaned immediately.

## Cooling operating mode

- 1) Switch the unit on with the power button
- 2) Select the cool operating mode and the cool signal light will illuminate
- 3) Set the desired target temperature with the timer/temp adjust button. *(The room temp signal light will disappear, the set temp light illuminates and the selected target temperature appears on the display)*
- 4) Select the desired fan speed

## Dehumidifying operating mode

The dehumidifying operating mode is very different from the cooling operating mode with respect to the drainage of condensation

### **Important information on condensation drainage**

- Set up the unit in the room to be dehumidified and do not guide the exhaust hose to the outside. The warm air remains in the room, thus improving the dehumidifying performance of the unit
  - The exhaust fan may not expel the accumulated condensation again via the exhaust hose to the air in the room in dehumidification mode. To prevent this from occurring, the internal tank must be emptied on a regular basis
- 1) Switch the unit on using the power button
  - 2) Select the dehumidifier operating mode and the dehumidification light will illuminate
  - 3) Set the lowest target temperature of 16°C with the timer/temp adjust button. *(The med fan speed is preset and cannot be changed)*
  - 4) Pull the plug from the condensation drain, collect the water and guide it via a hose to a drain at a lower level
  - 5) Make sure that if there is an external container, it does not overflow. *(This can result in water damage)*
  - 6) After the dehumidifier operation is complete, reinsert the plug of the condensation drain. *(Keep in mind that if there is no plug or it is inserted incorrectly, water may leak out)*

## Fan operating mode (Circulation)

- 1) Switch the unit on using the power button
- 2) Select the fan operating mode and the fan light will illuminate
- 3) Select the desired fan speed using the fan speed button

## Timer operation

The timer can be preset to switch on or switch off the unit for a maximum of 12 hours. Each time one of the timer/temp adjust buttons is pressed, the number of remaining hours is increased or decreased by an hour. The number of hours is shown on the display.

### **How to set the unit to switch off automatically**

- 1) While the unit is on press the timer button. The room temp button disappears and the on/off buttons will start blinking
- 2) Set the desired amount of time until the unit is switched off with the timer/temp adjust buttons
- 3) Keep in mind that after setting has been made, the room temp lights up again and the display will switch to show the room temperature

After the set amount of time has elapsed, the unit switches off automatically. Whether or not the timer is activated is indicated by the on/off display.

### **How to set the unit to switch on automatically**

KEEP IN MIND: The unit will switch on with the most recently made settings. If you want different setting, you must switch the unit on, make the changes and then switch the unit off again.

- 1) While the unit is switched off, press the timer button. The on/off button will start blinking
- 2) Set the desired amount of time until the unit is switched on with the timer/temp adjust buttons

After the set amount of time has elapsed, the unit switches on automatically. Whether or not the timer is activated is indicated by the on/off display.

### **Information about the timer**

- Press the power button to reset the timer function
- If the timer button is pressed while the timer is activated, the remaining time is shown on the display and can be modified by means of the timer/temp adjust buttons
- If the unit is unplugged from the power supply, any programmed timer function is deleted

## Shutting Down the Unit

To shut down the unit, always switch it off with the power button on the control panel or via the remote control. Only now can you unplug it from the power supply. Never shut the running unit off by pulling the power plug.

## Cleaning and Maintenance

Regular maintenance and observance of some basic principles are required to ensure a long service life and to keep the unit functioning properly. However, the unit should be inspected at least once a year and thoroughly cleaned after long periods of use. The entire cooling system is low maintenance, closed-loop system and must only be serviced by London Cool.

### Cleaning the plastic housing

For cleaning, use only a clean, soft and slightly moist towel to carefully wipe the housing. Please observe the following:

- Never use chemical cleaners or polish to clean the unit. *These can damage the surface*
- Only use lukewarm water. *Maximum of 40°C warm*
- Make sure that no moisture gets into the unit. Never spray water or other fluids into the unit. *This can damage the electrical components*
- Never clean the unit under a stream of water
- Thoroughly clean the air intake and outlet openings on a regular basis. *This is where the most dirt accumulates in the shortest period of time*

### Cleaning the filter

The unit is equipped with an air intake filter. It can be removed from the back of the unit. The filter must be cleaned on regular intervals. Clean the air filters after no longer than 100 hours of operation. If the air is heavily contaminated, reduce this time period accordingly.

**Never operate the unit without the air filter. The air filter prevents the condenser from becoming dirty and the performance of the unit from being adversely affected.**

- 1) Switch the unit off with the on/off button on the control panel or the infrared remote control
- 2) Unplug the unit
- 3) Remove the filter from the unit
- 4) Clean the dust that has accumulated from the filter. *You can use a vacuum cleaner*
- 5) If the dust filter is very dirty, wash it with a lukewarm soap solution
- 6) Let the filter air dry
- 7) Replace the filter in the unit
- 8) Make sure that the filter is dry and undamaged

## Troubleshooting

The unit has been designed using state of the art manufacturing processes and it has been tested repeatedly to ensure that it is working properly. However, should a problem occur, refer to the following list.

### UNPLUG THE UNIT FROM THE POWER SUPPLY BEFORE PERFORMING ANY WORK ON IT

Problem	Possible Cause	Check	Remedy
<b>The unit does not start or switches itself off automatically</b>	Power failure	Are all other electrical components working?	Check current and wait for the unit to start again
	Defective power fuse / main switch is off	Are all currents for lighting functional?	Replace power fuse / switch on main switch
	Power supply line is damaged	Are all other electrical components working?	Maintenance is required by an authorised personnel, or call London Cool on 0800 440 444
	Temperature range is either too high or too low	Is the fan still working?	Keep the unit within operating temperature range 20°C - 35°C
	Water tank is full	Is the tank full signal light illuminated?	Empty tank
	The surrounding temperature is outside of the operating range (16°C to 35°C)	Does E1 appear on the display?	Do not operate the unit outside the operating range
<b>The unit is either not cooling at all or only cooling a little bit</b>	The exhaust hose is bent, placed downwards or blocked	Does the cooling performance improve when the unit is operated without an exhaust hose and without a filter	Make sure that the exhaust channel is not blocked
	Dirty filter input and/or output opening blocked by foreign matter	Is the filter dirty?	Clean the filter
	The unit is too close to the wall or other objects	Has the minimum distance of 50cm been maintained?	Maintain minimum distance

<b>The unit is either not cooling at all or only cooling a little bit</b>	Windows and doors are open / thermal load increased	Has something been changed in the design or application?	Close windows and doors / reduce thermal load
	Low pressure in the setup room when operating the unit	Does the cooling performance improve when a door or window is opened?	Correct pressure in the setup room
	Cooling operation mode not set	Is the fan operating mode set?	Switch the units operating mode
	The unit is switch on with the timer function	Is the timing on led light up?	Press the on/off button again
	Temperature setting is too high	Is the temperature setting higher than the temperature of the room?	Lower the temperature
	Excess voltage due to lightning	Was there lightning recently in the region?	Unplug the unit from the power supply with switch 5 and restart the unit
	The air flap is not opened wide enough	Check the position of the air flap	Open the air flap as wide as possible
<b>The unit does not respond to the infrared remote control</b>	Remote-controlled batteries are dead or the transmission distance is too far	Does the button function work at a distance of approx. 3m?	Replace batteries / reduced distance or change location
	Polarity of batteries is incorrect after replacement	Is the polarity correct?	Insert the batteries correctly. Pay attention to the labels.
<b>Condensation water leaks out of the unit</b>	The unit is not standing upright	Is the unit upright?	Place the unit upright and make sure it is firmly in place
	The plug for the condensation drain is not inserted correctly or is damaged	Is water dripping out of the condensation drain?	Insert the plug correctly or replace is necessary

**Should the unit still not be working despite these checks, please contact  
London Cool on 0800 440 444**

**London Cool air conditioner rental and sales**

This document has been compiled in good faith, but no representation is made or warranty given (either express or implied) as to the completeness or accuracy of this information